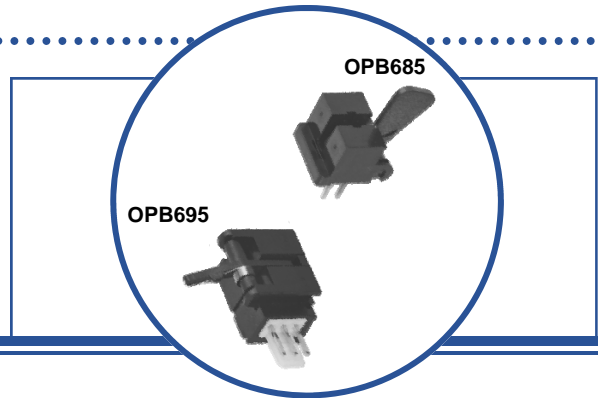


**Photologic® Optical Flag Switch**  
**OPB685, OPB685-3, OPB686, OPB687, OPB688**  
**OPB695, OPB696, OPB697, OPB698 Series**



**Features:**

- Photologic® output
- Four output options
- Mechanical switch replacement
- Printed circuit board mounting (OPB685 Series)
- 2.5mm, 3-pin connector mates with Molex connector 5051 series housing and 4809 series terminal for OPB695 Series



**Description:**

Each **OPB685** and **OPB695** series flag switch consists of an infrared emitting diode and a monolithic integrated circuit that incorporates a photodiode, a linear amplifier and a Schmitt trigger. A lever arm actuated flag interrupts the light beam, which switches the output between states that can readily drive logic gates.

The **OPB695** series is designed to easily snap mount into a 0.037" ± 0.001" (0.940 mm ± 0.025 mm) thick material with a rectangular opening of 0.320" ± 0.003" x 0.472" (8.13 mm x 11.99 mm) minimum. Insertion into the punched side of metal is recommended.

Devices in these series feature TTL/LSTTL compatible logic level output that can drive up to 10 TTL loads over a voltage range from 4.5 V to 16 V.

Customized lever arms and spring torques can be designed for specific applications for each of the devices.

Custom electrical, wire, cabling and connectors are available. Contact your local representative or OPTEK for more information.

**Applications:**

- Mechanical switch replacement
- Speed indication (tachometer)
- Mechanical limit indication
- Edge sensing

Ordering Information					
Part Number	LED Peak Wavelength	Sensor Photologic®	Flag Travel Degrees Max	Lead Length / Spacing or Connector	
OPB685	890 nm	10K Pull-Up	59°	0.100" / 0.275"	
OPB686		Open Collector			
OPB687		Inv. 10K Pull-Up			
OPB688		Inv. Open Collector			
OPB695AZ		10K Pull-Up	70°	Mates with 3 Pin—Molex 5051 (22-01-1032) Housing & 4809 (08-70-0069) Terminals	
OPB695BZ					
OPB695CZ					
OPB696AZ					
OPB696BZ					Open Collector
OPB696CZ					
OPB697AZ					
OPB697BZ					Inv. 10K Pull-Up
OPB697CZ					
OPB698AZ		Inv. Open Collector	70°	Mates with 3 Pin—Molex 5051 (22-01-1032) Housing & 4809 (08-70-0069) Terminals	
OPB698BZ					
OPB698CZ					



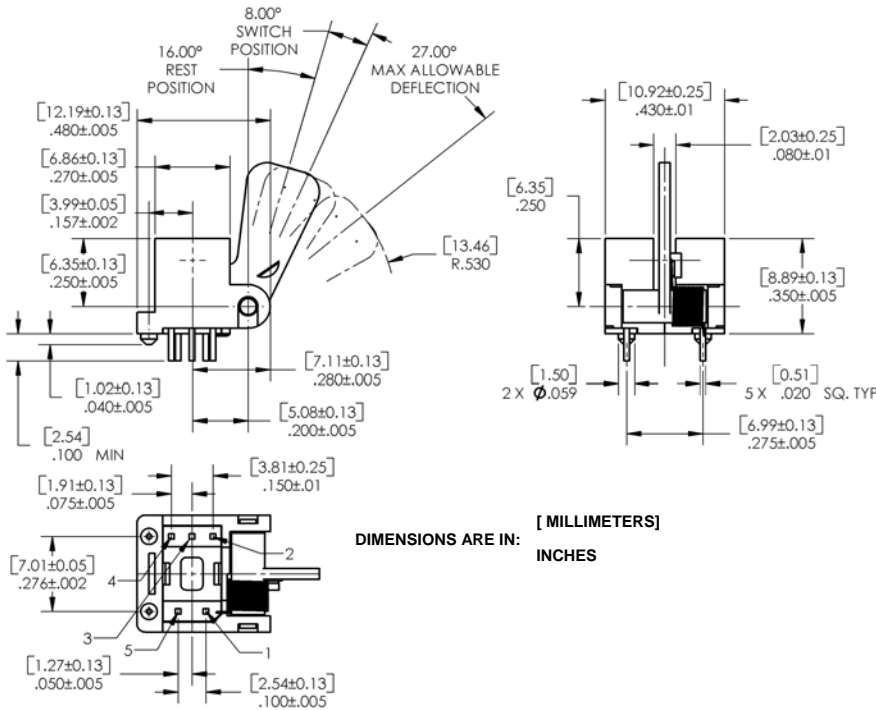
**RoHS**

OPTEK reserves the right to make changes at any time in order to improve design and to supply the best product possible.

**Photologic® Optical Flag Switch**  
**OPB685, OPB685-3, OPB686, OPB687, OPB688**  
**OPB695, OPB696, OPB697, OPB698 Series**



**OPB685, OPB685-3, OPB686, OPB687, OPB688**



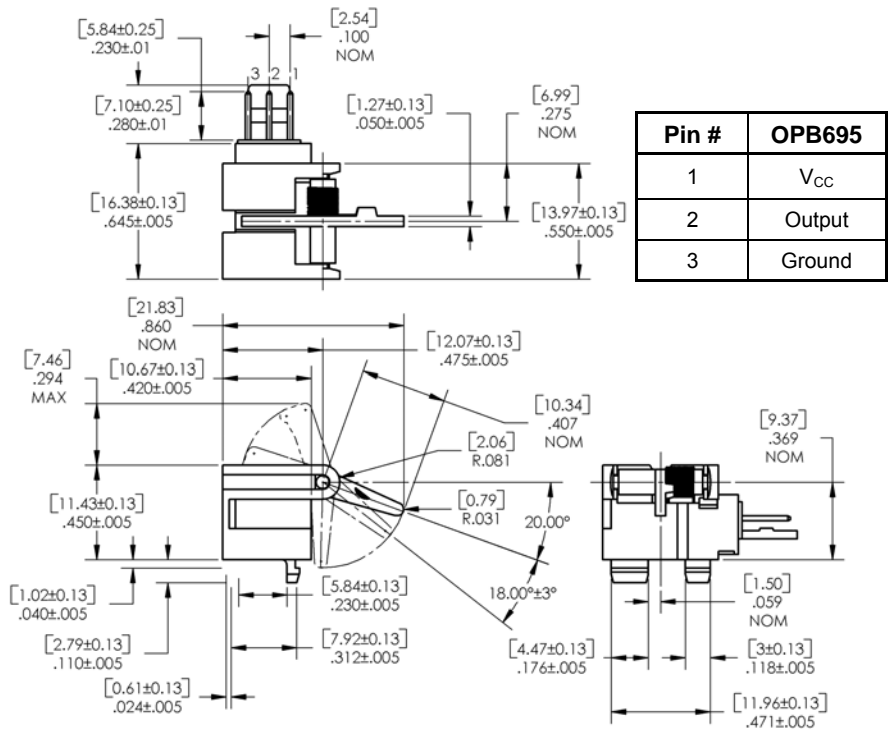
Pin #	Description
1	Anode
5	Cathode
2	Ground
3	Output
4	V <sub>CC</sub>

DIMENSIONS ARE IN: [ MILLIMETERS ]  
 INCHES

**OPB695, OPB696, OPB697, OPB698**

Part Number	Max. Torque (Grams)
OPB685	1.5
OPB685-3	3.0
OPB686	1.5
OPB687	1.5
OPB688	1.5
OPB695	1.5
OPB696	1.5
OPB697	1.5
OPB698	1.5

Torque is measured at the end of the arm from the resting position to the switching point of the flag



Pin #	OPB695
1	V <sub>CC</sub>
2	Output
3	Ground

OPTEK reserves the right to make changes at any time in order to improve design and to supply the best product possible.

**Photologic® Optical Flag Switch**  
**OPB685, OPB685-3, OPB686, OPB687, OPB688**  
**OPB695, OPB696, OPB697, OPB698 Series**



**Absolute Maximum Ratings** ( $T_A=25^\circ\text{C}$  unless otherwise noted)

Storage & Operating Temperature Range	-40°C to +100°C
Lead Soldering Temperature [1/16 inch (1.6mm) from the case for 5 sec. with soldering iron] <sup>(1)</sup>	260°C

**Input Diode**

Supply Voltage, $V_{CC}$ (not to exceed 3 seconds)	50 mA
Input Diode Power Dissipation	3 A
Output Photologic® Power Dissipation	3 V
Total Device Power Dissipation <sup>(2)</sup>	100 mW

**Output Photologic®**

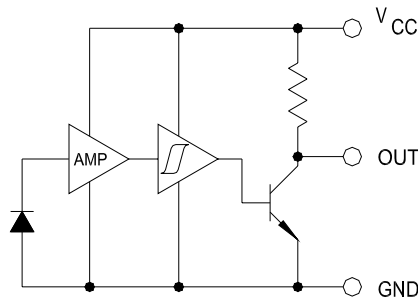
Supply Voltage, $V_{CC}$	18 V
Duration of Output Short to $V_{CC}$	1 second
Voltage at Output	30 V
Low Level Output Current (sinking)	16 mA
Power Dissipation <sup>(3) (4)</sup>	240 mW

Notes:

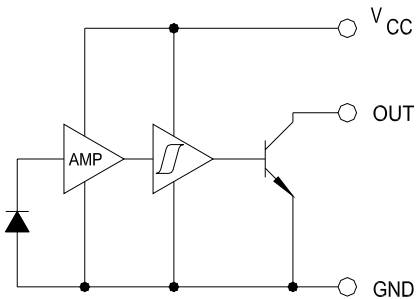
- (1) RMA flux is recommended. Duration can be extended to 10 seconds maximum when flow soldering.
- (2) Derate linearly 1.33 mW/°C above 25° C.
- (3) Derate linearly 2.00 mW/°C above 25° C (OPB680, OPB680-20, OPB690Z).
- (4) Derate linearly 2.50 mW/°C above 25° C (OPB685, OPB686, OPB687, OPB688, OPB695, OPB696, OPB697, OPB698).

**OPB685 and OPB695 Series**

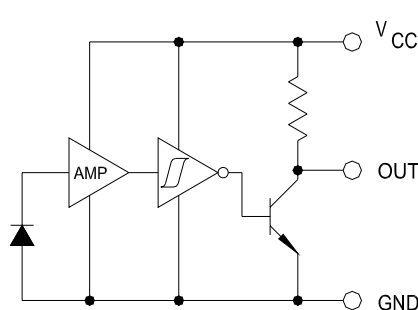
**OPB685, OPB695 Buffered 10K Pull-Up**



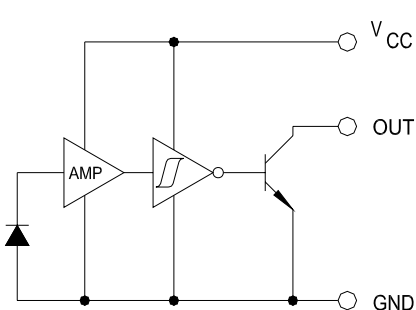
**OPB686, OPB696 Buffered Open-Collector**



**OPB687, OPB697 Inverted 10K Pull-Up**



**OPB688, OPB698 Inverted Open-Collector**



OPTEK reserves the right to make changes at any time in order to improve design and to supply the best product possible.

**Photologic® Optical Flag Switch**  
**OPB685, OPB685-3, OPB686, OPB687, OPB688**  
**OPB695, OPB696, OPB697, OPB698 Series**



**Electrical Characteristics** ( $T_A = 25^\circ\text{C}$  unless otherwise noted)

SYMBOL	PARAMETER	MIN	TYP	MAX	UNITS	TEST CONDITIONS
--------	-----------	-----	-----	-----	-------	-----------------

**Input Diode**

$V_F$	Forward Voltage	-	-	1.6	V	$I_F = 10\text{ mA}$
$I_R$	Reverse Current	-	-	100	$\mu\text{A}$	$V_R = 3\text{ V}$

**Output Photologic® Sensor**

$V_{CC}$	Operating DC Supply Voltage OPB685 Series OPB695-698A OPB695-698B OPB695-698C	4.5 4.5 8.0 13.5	- 5.0 12.0 15.0	16.0 8.0 13.5 16.0	V		
$I_{CC}$	Operating DC Supply Current OPB695-698A/B/C	-	20	30	mA		
$I_{CCL}$	Low Level Supply Current: Buffered 10k Pull-Up Buffered Open-Collector	OPB685 OPB686	- -	5.5 4.0	12 12	mA	$V_{CC} = 16\text{ V}, I_F = 0\text{ mA}$ (no load on output)
	Inverted 10k Pull-Up Inverted Open-Collector	OPB687 OPB688	- -	6.5 5.0	12 12	mA	$V_{CC} = 16\text{ V}, I_F = 10\text{ mA}$ (no load on output)
$I_{CCH}$	High Level Supply Current: Buffered 10k Pull-Up Buffered Open-Collector	OPB685 OPB686	- -	5.0	12	mA	$V_{CC} = 16\text{ V}, I_F = 10\text{ mA}$ (no load on output)
	Inverted 10k Pull-Up Inverted Open-Collector	OPB687 OPB688	- -	4.0	12	mA	$V_{CC} = 16\text{ V}, I_F = 0\text{ mA}$ (no load on output)
$V_{OL}$	Low Level Output Voltage: Buffered 10k Pull-Up Buffered Open-Collector	OPB685 OPB686 OPB695 OPB696A/B/C	- - - -	- - - -	0.4 0.4 0.4 0.4	V	$V_{CC} = 4.5\text{ V}, I_{OL} = 16\text{ mA}, I_F = 0$ $V_{CC} = 4.5\text{ V to }8\text{ V}, I_{OL} = 16\text{ mA}$ $V_{CC} = 8.5\text{ V to }13\text{ V}, I_{OL} = 16\text{ mA}$ $V_{CC} = 13.5\text{ V to }16\text{ V}, I_{OL} = 16\text{ mA}$
	Inverted 10k Pull-Up Inverted Open-Collector	OPB685 OPB686 OPB695 OPB696A/B/C	- - - -	- - - -	0.4 0.4 0.4 0.4	V	$V_{CC} = 4.5\text{ V}, I_{OL} = 16\text{ mA}, I_F = 0$ $V_{CC} = 4.5\text{ V to }8\text{ V}, I_{OL} = 16\text{ mA}$ $V_{CC} = 8.5\text{ V to }13\text{ V}, I_{OL} = 16\text{ mA}$ $V_{CC} = 13.5\text{ V to }16\text{ V}, I_{OL} = 16\text{ mA}$
$V_{OH}$	High Level Output Voltage: Buffered 10k Pull-Up		$V_{CC}$ -1.5	-	-	V	$I_{OH} = 100\text{ }\mu\text{A}, I_F = 10\text{ mA}$
	Inverted 10k Pull-Up Inverted Open-Collector		$V_{CC}$ -1.5	-	-	V	$I_{OH} = 100\text{ }\mu\text{A}, I_F = 0\text{ mA}$
$I_{OH}$	High Level Output Current: Buffered Open-Collector	OPB686 OPB696A OPB696B OPB696C	- - - -	- - - -	100 100 100 100	$\mu\text{A}$	$V_{CC} = 16\text{ V}, I_F = 10\text{ mA}, V_{CH} = 30\text{ V}$ $V_{CC} = 4.5\text{ V to }8\text{ V}, V_{OH} = 30\text{ V}$ $V_{CC} = 8.5\text{ V to }13\text{ V}, V_{OH} = 30\text{ V}$ $V_{CC} = 13.5\text{ V to }16\text{ V}, V_{OH} = 30\text{ V}$
	Inverted 10k Pull-Up	OPB688 OPB698A OPB698B OPB698C	- - - -	- - - -	100 100 100 100	$\mu\text{A}$	$V_{CC} = 16\text{ V}, I_F = 10\text{ mA}, V_{CH} = 30\text{ V}^{(1)}$ $V_{CC} = 4.5\text{ V to }8\text{ V}, V_{OH} = 30\text{ V}^{(1)}$ $V_{CC} = 8.5\text{ V to }13\text{ V}, V_{OH} = 30\text{ V}^{(1)}$ $V_{CC} = 13.5\text{ V to }16\text{ V}, V_{OH} = 30\text{ V}^{(1)}$

Notes:

- (1) Test requires lever arm in "blocked" position.

OPTEK reserves the right to make changes at any time in order to improve design and to supply the best product possible.

**Photologic® Optical Flag Switch**  
**OPB685, OPB685-3, OPB686, OPB687, OPB688**  
**OPB695, OPB696, OPB697, OPB698 Series**



**Electrical Characteristics** ( $T_A = 25^\circ\text{C}$  unless otherwise noted)

SYMBOL	PARAMETER	MIN	TYP	MAX	UNITS	TEST CONDITIONS
<b>Output Photologic® Sensor</b> (continued)						
$I_{F(+)}$	LED Positive-Going Threshold Current OPB685-688	0.1	1.8	10	mA	$V_{CC} = 5\text{ V}$
$I_{F(+)} / I_{F(-)}$	Hysteresis OPB685/688	1.0	1.2	1.6	mA	$V_{CC} = 5\text{ V}$
$t_r, t_f$	Rise Time, Fall Time	-	30	-	ns	$V_{CC} = 5\text{ V}$ , $I_F = 0$ or $10\text{ mA}$ $R_L = 300\ \Omega$ , DC = 50% $f = 10\text{ kHz}$
$t_{PLH}, t_{PHL}$	Propagation Delay Low-High & High-Low: Buffer, 10k Pull-Up OPB685	-	1 <sub>(LH)</sub>	-	$\mu\text{s}$	
	Buffer, Open-Collector OPB686	-	2 <sub>(HL)</sub>	-	$\mu\text{s}$	
	Inverter, 10k Pull-Up OPB687	-	2 <sub>(LH)</sub>	-	$\mu\text{s}$	
	Inverter, Open-Collector OPB688	-	1 <sub>(HL)</sub>	-	$\mu\text{s}$	

Notes:

- (1) Test requires lever arm in "blocked" position.

OPTEK reserves the right to make changes at any time in order to improve design and to supply the best product possible.